

# S-92<sup>®</sup>

HEAD OF STATE  
EXECUTIVE HELICOPTER



**SIKORSKY**   
A LOCKHEED MARTIN COMPANY

POINT-TO-POINT PERFORMANCE  
EXPERIENCE THE EXCEPTIONAL S-92<sup>®</sup> HELICOPTER



SIKORSKY



## Making Dreams Fly

Sikorsky is passionate about helicopters. It's what we do. Personalized account managers are committed to meet all your needs and expectations throughout acquisition, entry into service and flight operations.

THE S-92<sup>®</sup> HELICOPTER, ABOVE ALL



## Head of State Executive Helicopter

With speed and security, the Executive S-92<sup>®</sup> helicopter flies high above traffic and crowds, delivering world and business leaders to their destinations.

With 24/7/365 support through our sophisticated Customer Care Center, the S-92<sup>®</sup> helicopter ensures reliable, safe and comfortable VIP transportation.

# GLOBAL TRUST



## For the Most Demanding Missions

Sikorsky has been entrusted to carry every president of the United States in its helicopters since the Eisenhower administration.

Now, Sikorsky and Lockheed Martin have developed the next generation presidential helicopter – a variant of the successful Sikorsky S-92® helicopter series. The new generation S-92® Presidential helicopter is ready to carry on this tradition of superior performance, advanced technology and trusted safety at the highest level.



## Always Ready

The S-92® helicopter is certified to fly in the harshest environmental conditions, from flight into known icing conditions to searing heat and everything in between. You can fly when you want to fly.

IT'S READY WHEN YOU ARE, WHERE YOU ARE



# CUSTOMIZATION AND FLEXIBILITY



## Reach Your Vision

With the largest cabin in its class and true stand up cabin height, customization possibilities are limitless.



## Work Hard...or Relax

The spacious, quiet cabin with full amenities is the perfect environment for productivity. Wireless high speed data and voice communication is available to keep you connected to the world at all times. Or simply sit back and relax - it's your call.



OFFICE IN THE SKY

LUXURIOUS QUALITY YOU DESERVE



### Exquisite Craftsmanship and Materials

Personalized to meet regional, or indigenous sourced materials. The cabin is designed and completed in a manner that reflects the discerning eye, taste and needs of its passengers.





## A Pilot's Dream

The S-92® Pilot workstation is comfortable, intuitive with excellent visibility providing ideal conditions for safe operation. All avionic systems are modern and similar to the equipment found on a well equipped business jet including TCAS II, color weather radar, ground proximity warning and a state-of-the-art four axis autopilot.



ENHANCED COCKPIT WITH LATEST WEATHER RADAR

SMART, VERY SMART.



## Award-Winning Advanced Technology

The Collier award winning S-92<sup>®</sup> helicopter utilizes state-of-the-art materials and technology throughout. Its certified flaw/damage tolerant design includes a network of integrated sensors that monitor aircraft health to keep you flying and safe. The S-92<sup>®</sup> helicopter sets the standard that all others follow.



## Keeping You Flying, Safely

Sikorsky offers a global network of service professionals, Customer Service Centers and parts inventory all digitally connected to ensure your aircraft is available whenever, and wherever you travel.



# DESCRIPTIONS



Sikorsky is bringing new technology to the S-92® fleet. The S-92A+™ helicopter is the latest model of the venerable platform, building upon a legacy track record of performance and proven technology with new features for improved safety, reliability and capability.

The S-92A+™ helicopter features two new General Electric CT7-8A6 turboshaft engines with an integral particle separator and pneumatic starting system, offering more power in higher altitudes and hotter temperatures. The new model also includes the Phase IV Main Gearbox with auxiliary lubrication system for enhanced safety. In addition, the aircraft includes a Honeywell 36-150 auxiliary power unit for on the ground or in the air emergency power.

The main rotor system is a four-bladed fully articulated system, designed to meet the FAA flaw tolerance standards. The basic avionics package features Rockwell Collins Proline Communication and Navigation Radios, four portrait-oriented Multi-functional Display (MFD) units, and two Display Control Panels (DCP) units, which control the navigation mode selection and provide adjustment of the reference parameters. The aircraft includes a digital automatic flight control system and a coupled flight director.

Underscoring Sikorsky Aircraft's commitment to safety, the basic S-92A+™ helicopter includes Enhanced Ground Proximity Warning System (EGPWS) with Offshore Modes, Traffic Collision Avoidance System (TCAS II), ADS-B Out, a Honeywell RDR-7000 Weather Radar, and Health and Usage Monitoring System (HUMS).

The basic fuel of 760 gallons (2877 liters) is stored in two external sponsons with self-sealing breakaway valves.

# FEATURES

10 Passenger Deluxe Executive Configuration	Standard	Optional
Executive exterior paint/finish with logo/seal	•	
Air stair door with dual handrails and entry lighting	•	
Executive interior system with silencer acoustics and premium floor/wall and ceiling finishes	•	
LH/RH overhead valence with LED cabin ceiling and sidewall lighting	•	
LH/RH cabin wall ledge with LED sidewall lighting	•	
LED Hi-intensity reading lights	•	
14 large cabin windows	•	
Full height entry way closet	•	
Full height executive lavatory	•	
Fold up attendant seat	•	
Cockpit companion way door	•	
Forward main aisle privacy door	•	
Forward executive seating area with 4 swiveling captain chairs	•	
Forward executive seating area LH and RH writing tables	•	
Mid cabin LH/RH storage cabinets	•	
Aft cabin RH dual swiveling captain chairs with fold out writing table	•	
Aft cabin LH side facing 4 passenger seating	•	
Passenger briefing system	•	
Cabin entertainment system	•	
Satellite phone	•	
Enhanced capability Active Vibration Control system	•	
High capacity cabin environmental control system	•	
Large 140 cubic ft baggage compartment with shelf and ramp storage box	•	
Exterior Cameras		•
Sky show HD moving map system		•
Iridium high speed data system with cabin Wi-Fi		•
Mid cabin Left and Right Hand bulkheads with privacy doors		•
Entryway refreshment center		•
NVG Compatible Cockpit		•
Rear entry air stair with bulkhead door, closet and baggage restraint system		•
Rotor Ice Protection System		•
Emergency aircraft flotation system with dual life rafts		•
Wire strike protection		•
VIP armor; seating, floors, walls and windows*		•
Aircraft self defense systems*		•

\* Export controlled item, license required.

# RANGE

450 nautical miles (833 KM)



ABU DHABI



HONG KONG



LONDON



NEW YORK



SAN PAULO



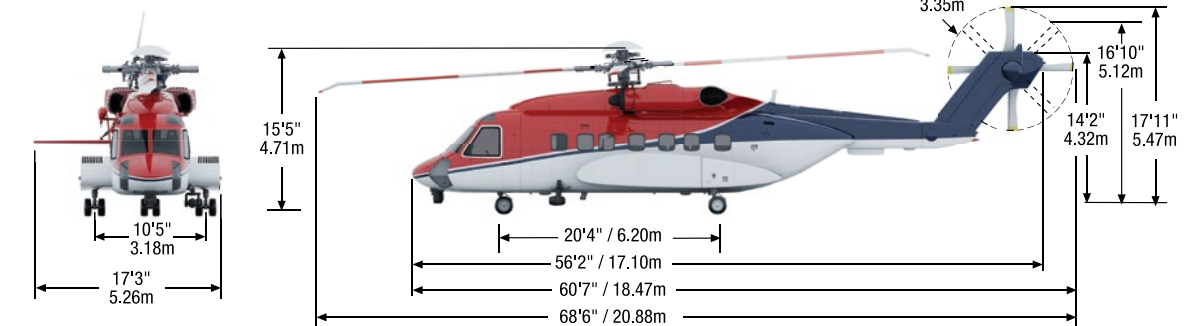
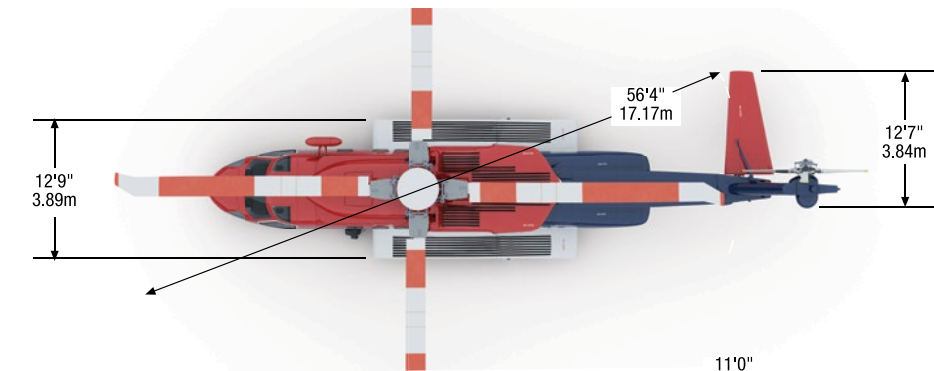
TOKYO

# GENERAL SPECIFICATIONS

S-92A+™ Executive Helicopter 10 Passenger Configuration

## Standard Day Sea Level

Maximum speed (VNE)	165 kts	
Maximum continuous cruise speed	151 kts	
Long range cruise speed	136 kts	
Range – no reserve	547 nm	1,013 km
Service ceiling	15,000 ft	4,572 m
Hover ceiling out-of-ground-effect	6,700 ft	2,042 m
Hover ceiling in-ground-effect	9,200 ft	2,804 m
Maximum takeoff gross weight	27,700 lb +	12,564 kg
Maximum normal fuel load	5,130 lb	2,327 kg
Baggage Volume	140 ft <sup>3</sup>	4.0 m <sup>3</sup>



# Any Mission. Any Time. Anywhere.



Sikorsky  
6900 Main Street, Stratford, CT 06615 USA  
1-800-WINGED-S (1-800-946-4337)  
International +1-203-386-3029  
© 2024 Sikorsky, A Lockheed Martin Company. All Rights Reserved.  
This document contains no technical data 9244 WMJ 23-17646 02/24