

LMSSC PACKAGING STANDARD

P-31
Revision 3
Page 1 of 1
09-02-2008

ONE ITEM IN EITHER A WRAP OR A BAG

1.0 SCOPE

1.1 This standard provides a method for the individual packaging of an item in either a wrap or a bag.

2.0 GENERAL

2.1 The requirements of LPS-40-001 latest revision (General Requirements Specification) shall be met in addition to the provisions of this packaging standard.

3.0 UNIT PACKAGING

3.1 The quantity per unit package shall be one (1) each.

3.2 Place item completely in either a wrap or a bag.

3.3 For bag, close by heat sealing, press sealing, taping, or stapling (stapling is not permitted for an electronic item).
For heat sealing, allow sufficient material to permit at least one additional reseal.

3.4 For wrap, close by taping in a manner to ensure item is enclosed and does not separate from wrap.

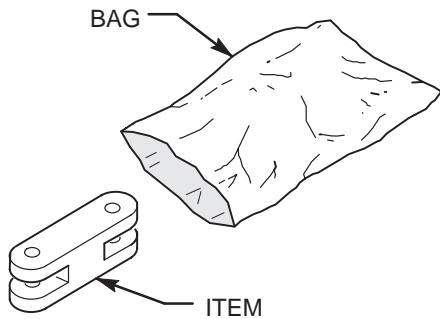


Figure 1.

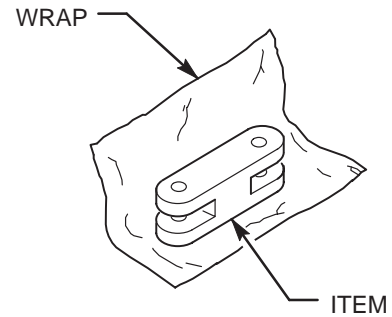


Figure 2.